

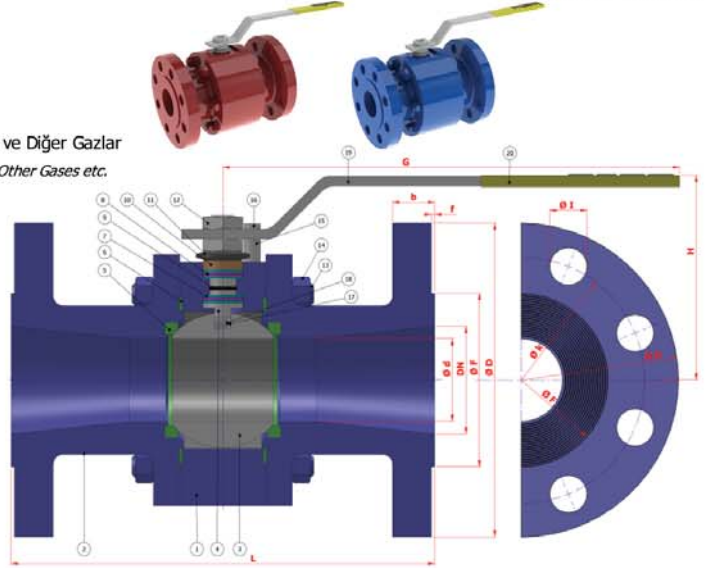
TİP TYPE : BKV – FL – RG

{DN 15 – DN 300}

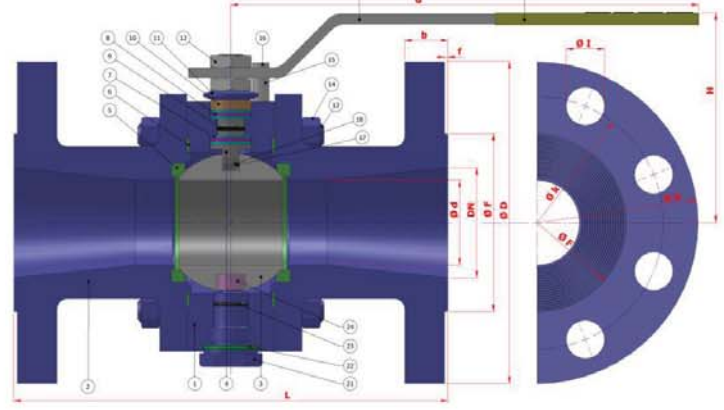
{CLASS 300 (PN50)}

REDÜKSİYON GEÇİŞLİ / FLANŞLI
REDUCED BORE / FLANGED

Dizayn	Desing	: API 6D / ISO 14313
Boyutlar	Dimensions	: ASME B 16.10
Bağlantılar	Connections	: FLANŞLI / FLANGED ASME B 16.5
Çalışma Basıncı	Working Pressure	: CLASS 300 (PN 50)
Çalışma Sıcaklığı	Working Temperature	: -30 °C / + 180 °C
Kullanım Alanları	Usage Areas	: Doğalgaz, LPG - LNG, Fuel-Oil, Basıncılı Hava ve Diğer Gazlar Natural Gas, LPG-LNG, Fuel-Oil, Pressurized Air and Other Gases etc.



FLOATING



TRUNNION

MALZEME BİLGİSİ MATERIAL DATA				
PARÇA NO ITEM NO	ADET PCS	PARÇA ADI ITEM DESCRIPTION	MALZEME MATERIAL	
24	1	ALT YATAK TEFLONU	BALL TIGHTNESS ELEMENT	PTFE-Teflon
23	1	ALT YATAK O-RING	SPINDLE O-RING	VITON
22	1	ALT YATAK TEFLONU	BALL TIGHTNESS ELEMENT	PTFE-Teflon
21	1	ALT YATAK	TRUNNION	ASTM A 105
20	1	PLASTİK KAPLAMA	PLASTIC COVERING	PVC
19	1	KÜRE HAREKET KOLU	BALL ACTION HANDLE	# 37
18	1	ÇİVATA	BOLT	ST 42 Gal.
17	1	STOPLAMA PİMİ	STOPPING PIN	ST 42 Gal.
16	2	ANTİSTATİK KÜRE	ANTISTATIC BALL	1.4301. - 1.4401.
15	2	ANTİSTATİK YAY	ANTISTATIC SPRING	1.4301. - 1.4401.
14	8	SOMUN	NUT	5.6.
13	4	SAPLAMA	STOPPING PIN	4140 - 5140
12	2	KONTRA SOMUN	COUNTER NUT	5,6 Gal.
11	2	ÇANAK PUL	ROCK WASHER	50 Cr V 4
10	1	BASKI RİNGİ	PRESSURE RING	MS 58
9	1	MİLO-RİNG	SPINDLE O-RING	VITON
8	2	BURGMAN GRAFİT O-RİNG	BURGMAN GRAPHITE O-RING	EN 1514-1
7	4	BOĞAZ SIZDIRMAZLIK TEFLONU	NECK TIGHTNESS ELEMENT	PTFE-Teflon
6	2	GÖVDE SIZDIRMAZLIK TEFLONU	BODY TIGHTNESS ELEMENT	PTFE-Teflon
5	2	KÜRE SIZDIRMAZLIK TEFLONU	BALL TIGHTNESS ELEMENT	PTFE-Teflon
4	1	HAREKET MİLİ	ACTION SPINDLE	1,4021
3	1	KÜRE	BALL	1.4301 / 1.4086
2	2	KAPAK	COVER	A 216 WCB / A 105
1	1	GÖVDE	BODY	A 216 WCB / A 105

TİP TYPE	BOYUT ve BAĞLANTI ÖLÇÜLERİ (DIMENSIONS AND CONNECTION SIZES)											
	CLASS 300											
	L	G	H	f	d	D	b	k	Hole Unit	I	F	kg
DN 15 1/2"	140	150	75	2	12	95	14,3	66,7	4	15,7	35,1	
DN 20 3/4"	152	150	75	2	15	115	15,9	82,6	4	19,1	42,9	
DN 25 1"	165	150	83	2	20	125	17,5	88,9	4	19,1	50,8	
DN 32 1 1/4"	178	180	90	2	25	135	19,1	98,4	4	19,1	63,5	
DN 40 1 1/2"	190	230	95	2	32	155	20,7	114,3	4	22,4	73,2	
DN 50 2"	216	275	115	2	40	165	22,3	127,0	8	19,1	91,9	
DN 65 2 1/2"	241	275	120	2	50	190	25,4	149,2	8	22,4	104,6	
DN 80 3"	282	320	135	2	65	210	28,6	168,3	8	22,4	127,0	
DN 100 4"	305	380	150	2	80	255	31,8	200,0	8	22,4	157,2	
DN 125 5"	381	450	170	2	100	280	34,9	235,0	8	22,4	185,7	
DN 150 6"	403	450	200	2	125	320	36,6	269,9	12	22,4	215,9	
DN 200 8"	502	650	235	2	150	380	41,3	330,2	12	25,4	269,7	
DN 250 10"	568	900	270	2	200	445	47,7	387,4	16	28,4	323,8	
DN 300 12"	648	1100	370	2	250	520	50,8	450,8	16	31,8	381,0	

