

TİP TYPE : BKV – EU 001

{DN 15 – DN 25}

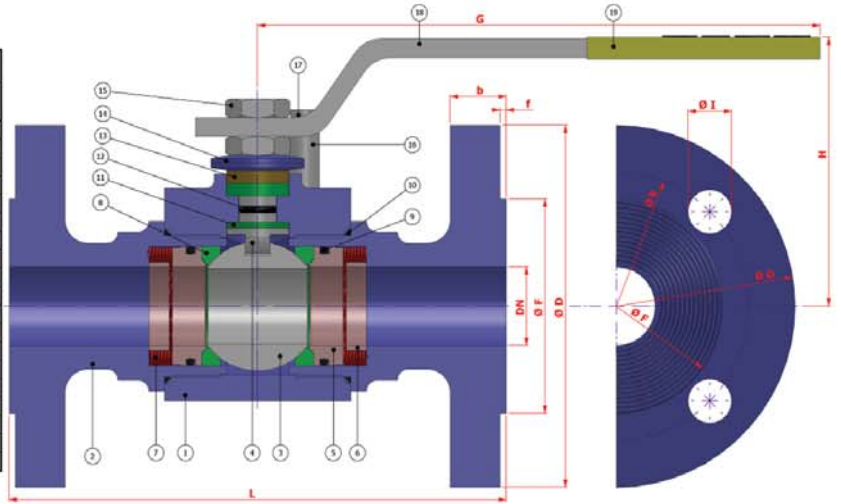
{PN16/PN25/PN40}

TAM GEÇİŞLİ / FLANŞLI
FULL BORE / FLANGED

Boyutlar	Dimensions	: EN 558-1
Bağlantılar	Connections	: FLANŞLI / FLANGED EN 1092-1
Çalışma Basıncı	Working Pressure	: PN 16 / PN 25 / PN 40
Çalışma Sıcaklığı	Working Temperature	: -30 °C / + 180 °C
Kullanım Alanları	Usage Areas	: Doğalgaz, LPG - LNG, Fuel-Oil, Basıncılı Hava ve Diğer Gazlar Natural Gas, LPG-LNG, Fuel-Oil, Pressurized Air and Other Gases etc.



MALZEME BİLGİSİ MATERIAL DATA				
PARÇA NO ITEM NO	ADET PCS	PARÇA ADI ITEM DESCRIPTION	MALZEME MATERIAL	
19	1	PLASTİK KAPLAMA	PLASTIC COVERING	PVC / PVC
18	1	KÜRE HAREKET KOLLU	BALL ACTION HANDLE	st 37 / 1.4301.
17	1	CİVATA	BOLT	ST 42 Gal. / 1.4301. - 1.4401.
16	1	STOPLAMA PİMİ	STOPPING PIN	ST 42 Gal. / 1.4301.
15	2	KONTRA SOMUN	COUNTER NUT	5,6 Gal. / 1.4301.
14	2	ÇAMAK PULU	ROTH WASHER	50 Cr V 4 / 1.4301.
13	1	BASKI RİNGİ	PRESSURE RING	MS 58 / 1.4301. - 1.4401.
12	1	MİL O-RİNG	SPINDLE O-RING	VITON / VITON
11	2	BOĞAZ SIZDIRMAZLIK TEFLONU	NECK TIGHTNESS ELEMENT	PTFE-Teflon / PTFE-Teflon
10	2	GÖVDE O-RİNG	BODY O-RING	VITON / VITON
9	2	GÖVDE O-RİNG	BODY O-RING	VITON / VITON
8	2	KÜRE SIZDIRMAZLIK TEFLONU	BALL TIGHTNESS ELEMENT	PTFE-Teflon / PTFE-Teflon
7	34	YAY	SPRING	1.4301. / 1.4301. - 1.4401.
6	2	YAY DESTEK	SPRING UPHOLDER	22 Mn 6 / 1.4301. - 1.4401.
5	2	SIZDIRMAZLIK RİNGİ	TIGHTNESS RING	22 Mn 6 / 1.4301. - 1.4401.
4	1	HAREKET MİLİ	ACTION SPINDLE	1.4021 / 1.4086 / 1.4301. - 1.4401.
3	1	KÜRE	BALL	1.4301 / 1.4086 / 1.4305. - 1.4401.
2	2	KAPAK	COVER	22 Mn 6 / 1.4301. - 1.4401.
1	1	GÖVDE	BODY	22 Mn 6 / 1.4301. - 1.4401.



TİP TYPE	BOYUT ve BAĞLANTI ÖLÇÜLERİ (DIMENSIONS AND CONNECTION SIZES)																		
	PN 16											PN 25 - 40							
	L	G	H	f	D	b	k	Hole Unit	I	F	kg	D	b	k	Hole Unit	I	F	Kg	
BKV - EU 001																			
DN 15	1/2"	130	150	75	2	95	14	65	4	14	45	-	95	16	65	4	14	45	-
DN 20	3/4"	150	150	83	2	105	16	75	4	14	58	-	105	18	75	4	14	58	-
DN 25	1"	160	180	90	2	115	16	85	4	14	68	-	115	18	85	4	14	68	-

