

TİP TYPE : BKV.3T – FL - RG {DN 15 – DN 125}

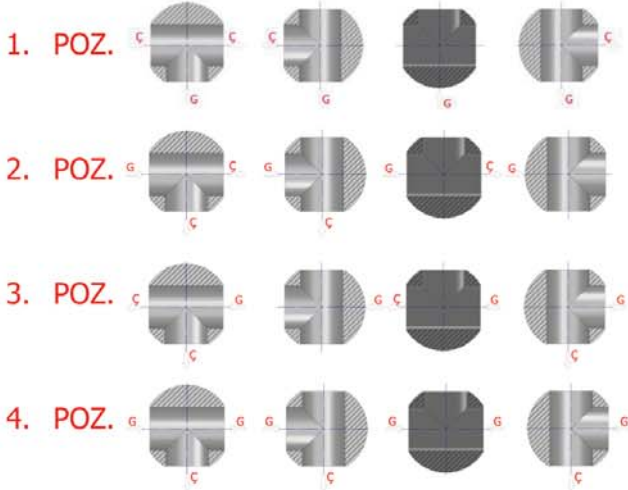
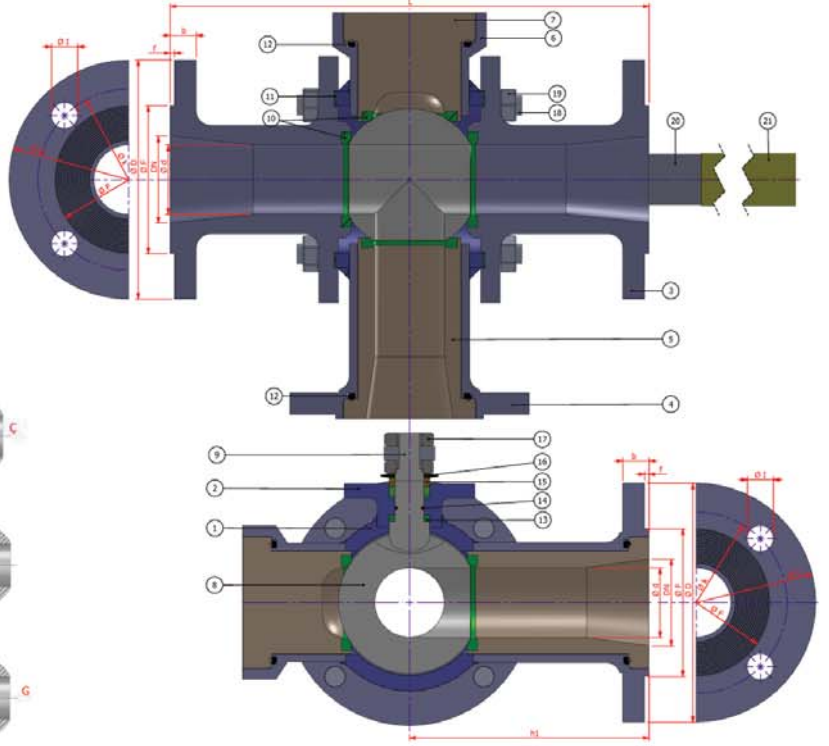
{ PN 16 / PN 40 }

REDÜKSİYON GEÇİŞLİ / FLANŞLI
REDUCED BORE / FLANGED

Boyutlar	Dimensions	: BATUSAN ÖZEL / SPECIAL
Bağlantılar	Connections	: FLANŞLI / FLANGED EN 1092-1
Çalışma Basıncı	Working Pressure	: PN 16 / PN 40
Çalışma Sıcaklığı	Working Temperature	: -30 °C / + 180 °C
Kullanım Alanları	Usage Areas	: Su, Sıcak Su, Buhar, Basıncılı Hava Water, Hot Water, Steam, Pressurized Air



MALZEME BİLGİSİ MATERIAL DATA					
PARÇA NO ITEM NO	ADET PCS	PARÇA ADI ITEM DESCRIPTION		MALZEME MATERIAL	
21	1	PLASTİK KAPLAMA	PLASTIC COVERING	PVC	PVC
20	1	KÜRE HAREKET KOLU	BALL ACTION HANDLE	st 37	1.4301.
19	8	SOMUN	NUT	S.6.	1.4301. - 1.4401.
18	4	SAPLAMA	STOPPING PIN	CK 35 / CK 45	1.4301.
17	2	KONTRA SOMUN	COUNTER NUT	5,6 Gal.	1.4301.
16	2	ÇANAK PUL	BOWL WASHER	50 Cr V 4	1.4301.
15	1	BASKI RİNGİ	PRESSURE RING	MS 58	1.4301. - 1.4401.
14	1	MİLO-RİNG	SPINDLE O-RING	VİTON	VİTON
13	4	BOĞAZ SIZDIRMAZLIK TEFLONU	NECK TIGHTNESS ELEMENT	PTFE-Teflon	PTFE-Teflon
12	2	3 YOL RİNG	VİTON	VİTON	VİTON
11	2	GÖVDE SIZDIRMAZLIK TEFLONU	BODY TIGHTNESS ELEMENT	PTFE-Teflon	PTFE-Teflon
10	4	KÜRE SIZDIRMAZLIK TEFLONU	BALL TIGHTNESS ELEMENT	PTFE-Teflon	PTFE-Teflon
9	1	HAREKET MİLİ	ACTION SPINDLE	1.4021	1.4301. - 1.4401.
8	1	KÜRE	BALL	1.4301 / 1.4086	1.4305. - 1.4401.
7	7	KÖR YATAK		st 37-2	1.4301. - 1.4401.
6	6	KÖR KAPAK		st 37-2	1.4301. - 1.4401.
5	5	3 YOL YATAK		st 37-2	1.4301. - 1.4401.
4	4	3 YOL KAPAK	COVER 3 HWY	st 37-2	1.4301. - 1.4401.
3	3	KAPAK	COVER	st 37-2	1.4301. - 1.4401.
2	2	BOĞAZ	NECK	St 37-2	
1	1	GÖVDE	BODY	St 44	1.4301. - 1.4401.



TİP TYPE	BOYUT ve BAĞLANTI ÖLÇÜLERİ (DIMENSIONS AND CONNECTION SIZES)																				
	PN 16													PN 40							
	L	G	H	h 1	f	d	D	b	k	Hole Unit	I	F	kg	D	b	k	Hole Unit	I	F	Kg	
BKV.3T-FL-RG																					
DN 15 1/2"	160	150	75	80	2	12	95	14	65	4	14	45		95	16	65	4	14	45		
DN 20 3/4"	200	150	83	100	2	15	105	16	75	4	14	58		105	18	75	4	14	58		
DN 25 1"	210	180	90	105	2	20	115	16	85	4	14	68		115	18	85	4	14	68		
DN 32 1 1/4"	230	230	95	115	2	25	140	16	100	4	18	78		140	18	100	4	18	78		
DN 40 1 1/2"	250	275	115	125	3	32	150	16	110	4	18	88		150	18	110	4	18	88		
DN 50 2"	330	275	120	165	3	40	165	18	125	4	18	102		165	20	125	4	18	102		
DN 65 2 1/2"	400	320	135	200	3	50	185	18	145	4	18	122		185	22	145	8	18	122		
DN 80 3"	430	380	150	215	3	65	200	20	160	8	18	138		200	24	160	8	18	138		
DN 100 4"	450	450	170	225	3	80	220	20	180	8	18	158		235	24	190	8	22	162		
DN 125 5"	480	450	170	240	3	100	250	26	210	8	18	188		270	26	220	8	26	188		