

TİP TYPE : BPT - FL

{DN 15 – DN 200}

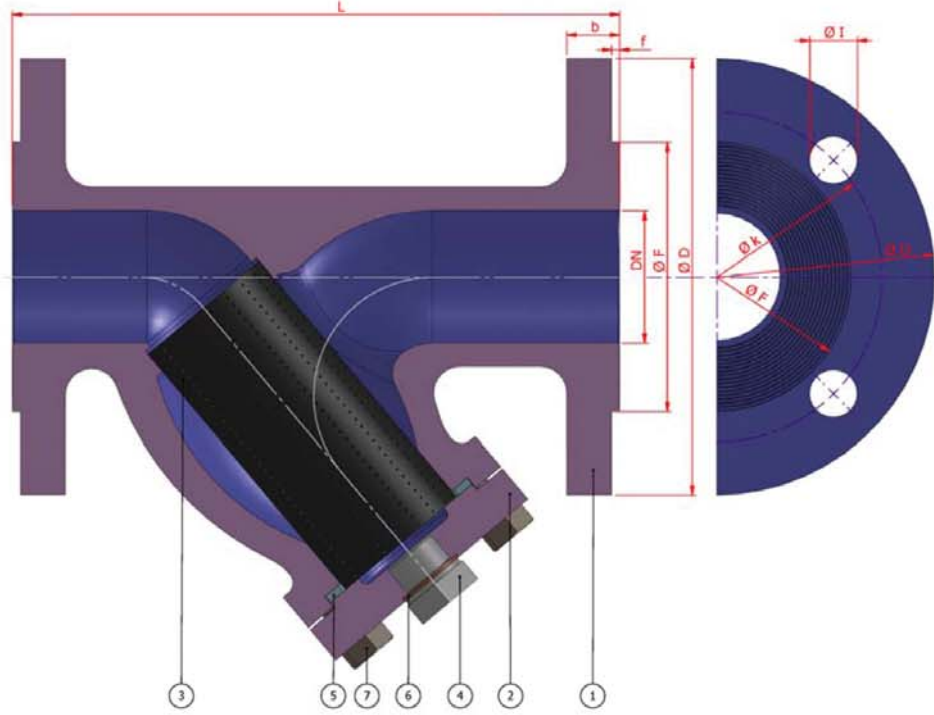
{PN 16 – PN 25 – PN 40 }

**FLANŞLI
FLANGED**

Boyutlar	Dimensions	: TS 11494 / EN 558-1
Bağlantılar	Connections	: FLANŞLI / FLANGED EN 1092-1
Çalışma Basıncı	Working Pressure	: PN 16 - PN 25 - PN 40
Çalışma Sıcaklığı	Working Temperature	: PN 16 : -10 °C / + 300 °C PN 40 : -40 °C / + 400 °C
Kullanım Alanları	Usage Areas	: PN 16 Su, Sıcak Su, Buhar ve Yanıcı Olmayan Gazlar Water, Hot Water, Steam and Non-Flammable Gases PN 25/40 Doğalgaz, LPG - LNG, Fuel-Oil, Basıncılı Hava ve Diğer Gazlar Natural Gas, LPG-LNG, Fuel-Oil, Pressurized Air and Other Gases etc.



MALZEME BİLGİSİ MATERIAL DATA							
PARÇA NO ITEM NO	ADET PCS	PARÇA ADI ITEM DESCRIPTION	MALZEME MATERIAL				
8	4	CİVATA BOLT	8.8.	8.8.	8.8.	1.4301.	
7	1	CONTA TIGHTNESS ELEMENT	Cu	Cu	Cu	Cu	
5	1	CONTA TIGHTNESS ELEMENT	PTFE-Teflon	PTFE-Teflon	PTFE-Teflon	PTFE-Teflon	
4	1	BOŞALTIMA TAPASI BALL TIGHTNESS ELEMENT	C 22	C 22	C 22	1.4301.	
3	1	FİLTRE COVER	1.4301.	1.4301.	1.4301.	PTFE-Teflon	
2	1	KAPAK BODY	GG 25	GGG 40.3	GS C 25	1.4301. - 1.4401.	
1	1	GÖVDE BODY	GG 25	GGG 40.3	GS C 25	1.4301. - 1.4401.	



TİP TYPE	BOYUT VE BAĞLANTI ÖLÇÜLERİ (DIMENSIONS AND CONNECTION SIZES)																	
	PN 16										PN 25 - PN 40							
	L	f	D	b	k	Hole Unit	I	F	kg	D	b	k	Hole Unit	I	F	Kg		
BPT - FL	DN 15	1/2"	130	2	95	14	65	4	14	45	2,3	95	16	65	4	14	45	2,4
	DN 20	3/4"	150	2	105	16	75	4	14	58	3,8	105	18	75	4	14	58	4,0
	DN 25	1"	160	2	115	16	85	4	14	68	5,0	115	18	85	4	14	68	5,2
	DN 32	1 1/4"	180	2	140	16	100	4	18	78	7,0	140	18	100	4	18	78	7,2
	DN 40	1 1/2"	200	3	150	16	110	4	18	88	8,2	150	18	110	4	18	88	8,5
	DN 50	2"	230	3	165	18	125	4	18	102	12,0	165	20	125	4	18	102	12,2
	DN 65	2 1/2"	290	3	185	18	145	4	18	122	18,8	185	22	145	8	18	122	19,0
	DN 80	3"	310	3	200	20	160	8	18	138	27,2	200	24	160	8	18	138	27,7
	DN 100	4"	350	3	220	20	180	8	18	158	43,8	235	24	190	8	22	162	44,0
	DN 125	5"	400	3	250	22	210	8	18	188	64,0	270	26	220	8	26	188	65,0
	DN 150	6"	480	3	285	22	240	8	22	212	78,0	300	28	250	8	26	218	80,0
	DN 200	8"	600	3	340	24	295	12	22	268		375	34	320	12	30	285	

