

TİP TYPE: BAG - Dİ

{ R 1/2" – R 4" }

{ PN 16 – PN 25 – PN 40 }

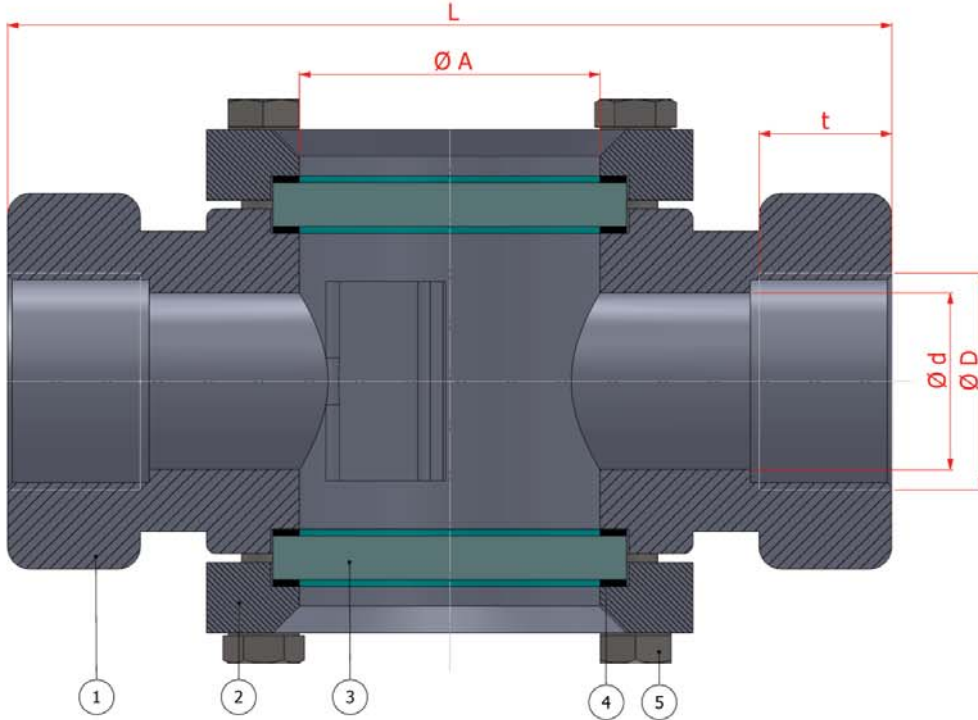
ÇİFT CAMLI / DİŞLİ
DOBLE GLASS / THREADED

Boyutlar	Dimensions	: BATUSAN ÖZEL / SPECIAL
Bağlantılar	Connections	: DİŞLİ / THREADED DIN 2999 / EN 10226-1
Çalışma Basıncı	Working Pressure	: PN 16 - PN 40
Çalışma Sıcaklığı	Working Temperature	: -10 °C / + 180 °C
Kullanım Alanları	Usage Areas	: Su, Gıda, Kimya, Hava ve Diğer Gazlar Water, Foodstuffs, Chemistry, Air and Other Gases etc.



MALZEME BİLGİSİ MATERIAL DATA

PARÇA NO ITEM NO	ADET PCS	PARÇA ADI ITEM DESCRIPTION	MALZEME MATERIAL			
5	8	CIVATA BOLT	8.8.	8.8.	8.8.	1.4301.
4	4	CAM SIZDIRMAZLIK TEFLONU GLASS TIGHTNESS ELEMENT	PTFE	PTFE	PTFE	PTFE
3	2	CAM GLASS	Tem. Glass	DIN 7080	DIN 7080	DIN 7080
2	2	KAPAK COVER	GG 25	GGG 40.3	GS C 25	1.4301. - 1.4401.
1	1	GÖVDE BODY	GG 25	GGG 40.3	GS C 25	1.4301. - 1.4401.



TİP TYPE	BOYUT ve BAĞLANTI ÖLÇÜLERİ (DIMENSIONS AND CONNECTION SIZES)							
	PN 16 / 25 / 40				PN 16		PN 25 / 40	
BAG - Dİ	L	d	D	t	A	kg	A	Kg
DN 15 1/2"	100	15	1/2"	14	40,0	1,4	34,0	0,9
DN 20 3/4"	120	20	3/4"	17	40,0	1,5	34,0	1,8
DN 25 1"	135	25	1"	20	48,0	2,0	44,0	2,8
DN 32 1 1/4"	160	32	1 1/4"	22	67,0	3,1	60,0	4,5
DN 40 1 1/2"	185	40	1 1/2"	25	68,0	4,0	60,0	6,3
DN 50 2"	220	50	2"	28	85,0	6,0	80,0	8,3

